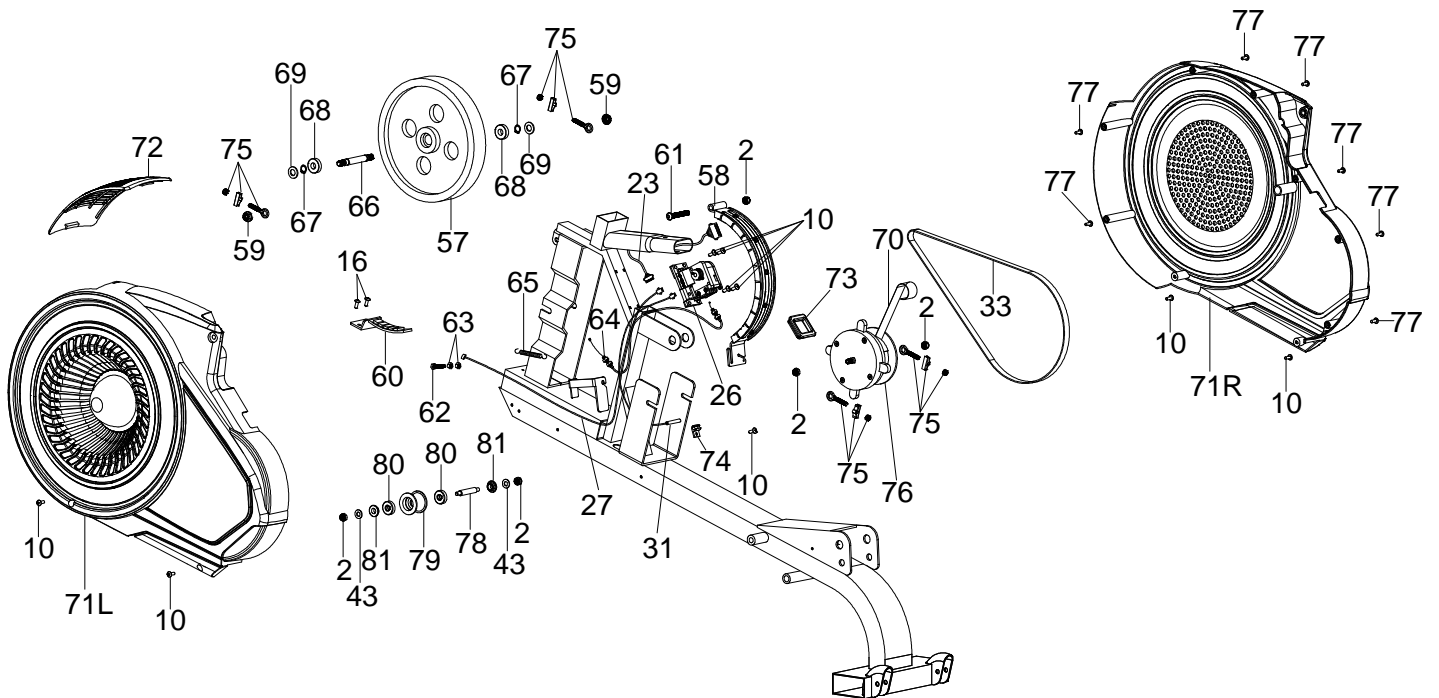
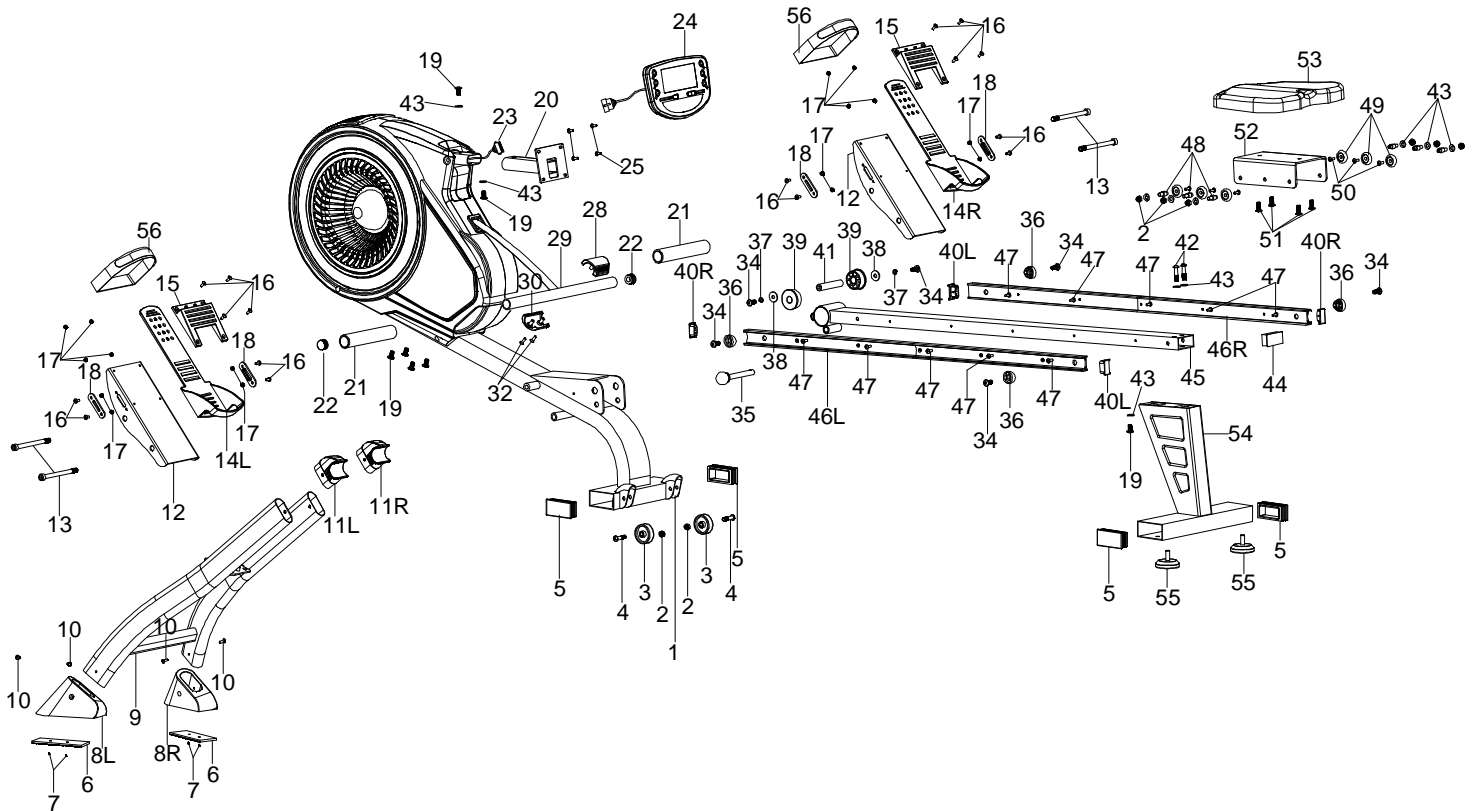


EXPLODED DIAGRAM



PARTS LIST

Part No.	Description	Q'ty
1	Main frame	1
2	Nylon nut	13
3	Roller	2
4	Allen bolt	2
5	Square end cap	4
6	No-slip pad	2
7	Self tapping screw	4
8 L	End cap for front stabilizer tube L	1
8 R	End cap for front stabilizer tube R	1
9	Front stabilizer tube	1
10	Self tapping screw	13
11 L	Fixed bracket for handlebar L	1
11 R	Fixed bracket for handlebar R	1
12	U –type bracket for pedal	2
13	Allen bolt for pedal	4
14 L	Pedal L	1
14 R	Pedal R	1
15	Fixed bracket for pedal	2
16	Screw M5*12	18
17	Nylon nut	16
18	Fixed plate for strap	4
19	Allen screw M8*16	7
20	Front support	1
21	Foam grip for handlebar	2
22	End cap for handlebar	2
23	Extension sensor wire	1
24	console	1
25	Screw for meter	4
26	Motor	1
27	Power wire	1
28 L	Fixed bracket for handlebar L	1
29	Handlebar	1

PARTS LIST

Part No.	Description	Q'ty
30 R	Fixed bracket for handlebar R	1
31	Sensor wire	1
32	Self tapping screw ST4*20	2
33	Belt	1
34	Allen bolt M8*20	6
35	Ball pin	1
36	Cushion rubber	4
37	Spring washerΦ8	2
38	WasherΦ8*Φ25	2
30 R	Fixed bracket for handlebar R	1
31	Sensor wire	1
32	Self tapping screw ST4*20	2
33	Belt	1
34	Allen bolt M8*20	6
35	Ball pin	1
36	Cushion rubber	4
37	Spring washerΦ8	2
38	WasherΦ8*Φ25	2
39	Nylon rubber jacket	2
40 L	End cap for side rail L	2
40 R	End cap for side rail R	2
41	Axle for slide rail	1
42	Allen bolt M8*40	2
43	WasherΦ8*Φ17	13
44	Square end cap	1
45	Slide rail	1
46 L	Slide rail L	1
46 R	Slide rail R	1
47	Self tapping screw	10
48	Axle for roller	6
49	Roller	6
50	Screw M5*15	6

PARTS LIST

Part No.	Description	Q'ty
51	Allen screw M6*20	4
52	U-type bracket for seat	1
53	Seat	1
54	Rear support tube	1
55	Foot mat	2
56	Strap	2
57	Flywheel	1
58	Magnet assembly	1
59	Flange nut	2
60	Additional magnet assembly	1
61	Allen bolt	1
62	Hex head bolt	1
63	Hex head nut	2
64	Tension knob	1
65	Spring	1
66	Axle for flywheel	1
67	Clamp spring	2
68	Bearing	2
69	Washer	2
70	Strap for Spring clutch	1
71L	Chain cover L	1
71R	Chain cover R	1
72	Air outlet	1
73	Rubber ring	1
74	Sensor bracket	1
75	Adjustable screw assembly	4
76	Spring clutch	1
77	Self tapping screw ST5*16	7
78	Axle for pulley	1
79	Pulley	1
80	Bearing	2
81	Powder metal	2